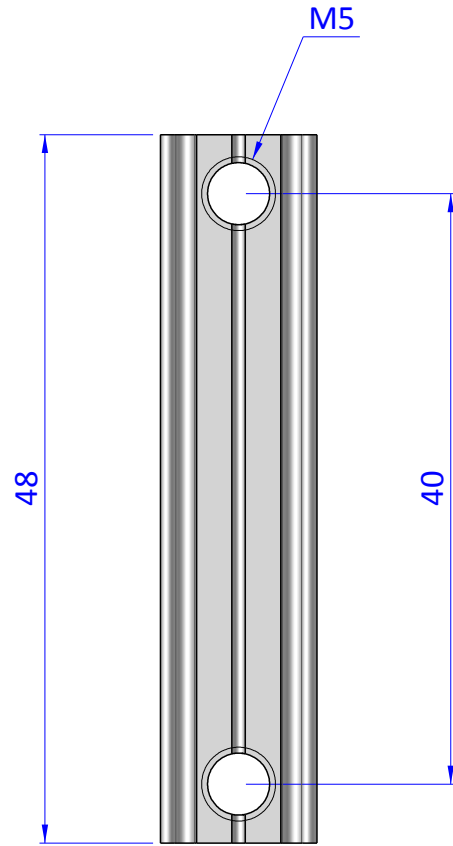
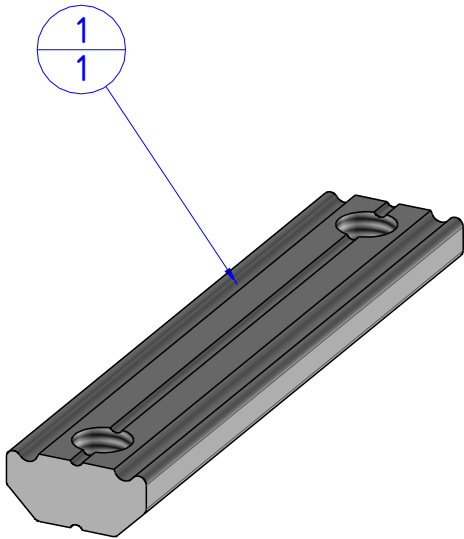
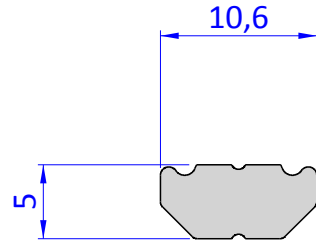
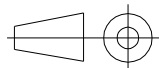


THE PROPERTY OF THE DRAWING IS ESTABLISHED BY LAW. IT IS FORBIDDEN TO PRODUCE OR SHOW IT TO THIRD PART. WITHOUT A WRITTEN AGREEMENT.

Item	Name	Q.ty
1	GWP.5.40	1



**FP SERVICES**  
AUTOMATION



DESIGNED FROM

**FPSERVICES**

REVIEW

**A / 6**

DATE

12/10/2018

WEIGHT

0,016kg

CODE

**CA.GWP.5.40**

Format A4

UNI 936-76

GENERAL TOLERANCE

UNI - ISO 2768

CLASSE f

DESCRIPTION

CA.GWP.5.40